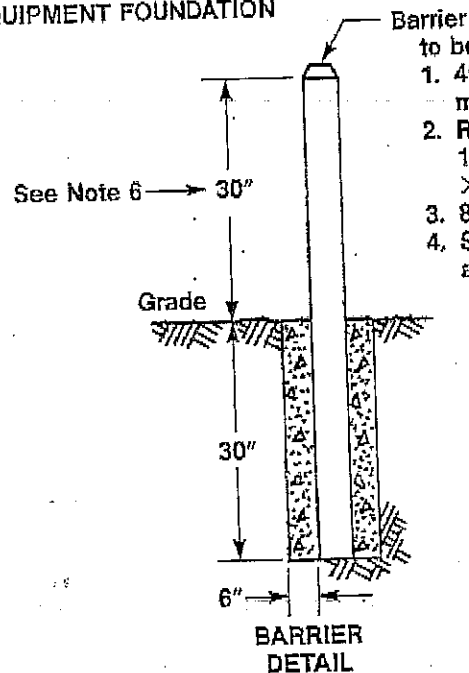
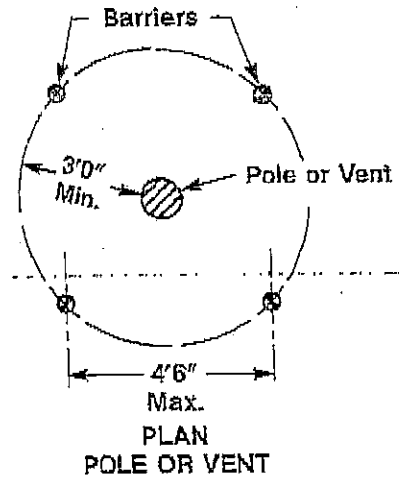
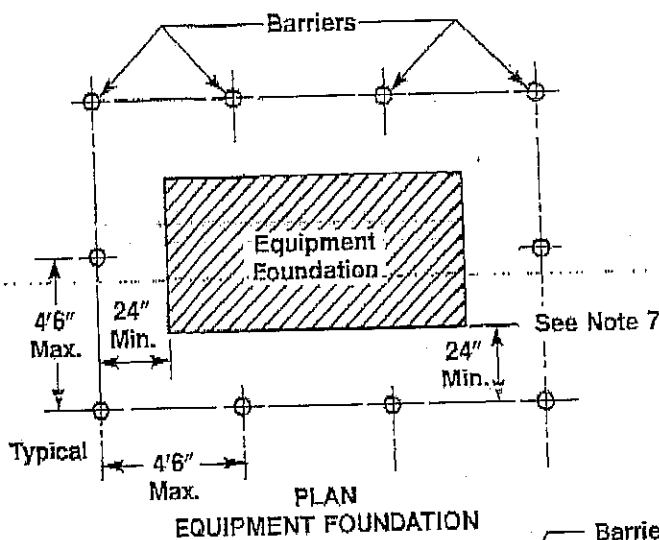


PROTECTIVE BARRIER FOR UNDERGROUND DISTRIBUTION STRUCTURES



to be one of the following:

1. 4" galvanized steel pipe (1/4" minimum wall) filled with concrete
2. Railroad rail (90 lb. minimum) or S1 14.75 American standard beam (5" X 3" X 1/2")
3. 8" X 8" reinforced concrete
4. Special barriers by prior SCE approval

NOTES:

1. Structures will normally be installed only in nontraffic areas. Barriers to be used where construction has exposed equipment to traffic.
2. Top of barriers to be smooth cut and top edges to be rounded.
3. One barrier to be removable when overhead obstacles prevent equipment removal by crane.
4. Adequate clearance must be provided for doors, cooling coils, etc.
5. Barricades, as shown, indicate typical requirements. Field conditions will necessitate changes for adequate equipment protection. Approval from the underground inspector in the field is required for all barricade installations.
6. When specified on working drawing, a 6" (minimum height) curb may be installed in place of barriers. This curb must be at least 6" thick and its front face located 60" minimum (or as specified on drawing) from the equipment foundation.
7. Increase to 44" minimum at front of padmounted 3 ϕ transformers and capacitors, and 36" minimum at back of capacitors (door sides only), when a 72" X 94" pad is being installed.



Southern California Edison — UNDERGROUND STRUCTURES

REV. 2-90

☒ Indicates Latest Revision

UGS

830